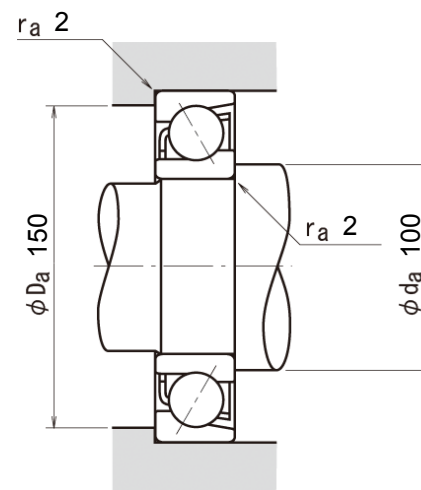
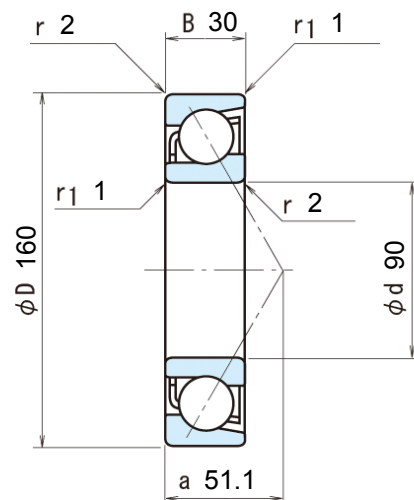


Boundary Dimensions (mm)					Basic Load Ratings (kN)		Limiting Speeds (min ⁻¹)		Bearing Numbers	NSKHPS
<i>d</i>	<i>D</i>	<i>B</i>	<i>r</i> min.	<i>r1</i> min.	<i>C_r</i>	<i>C_{0r}</i>	Grease	Oil		
90	160	30	2	1	118	103	3600	4800	7218AW	



Factor	Mass (kg) approx.
f_0	
-	2.25